

A B E G Q



# Self Priming Centrifugal Pump

## Models 03H1-GL, 03H1-GR, 03H3-GL and 03H3-GR

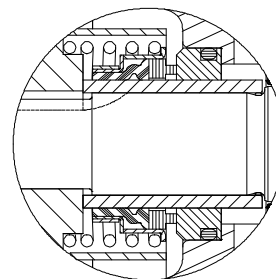
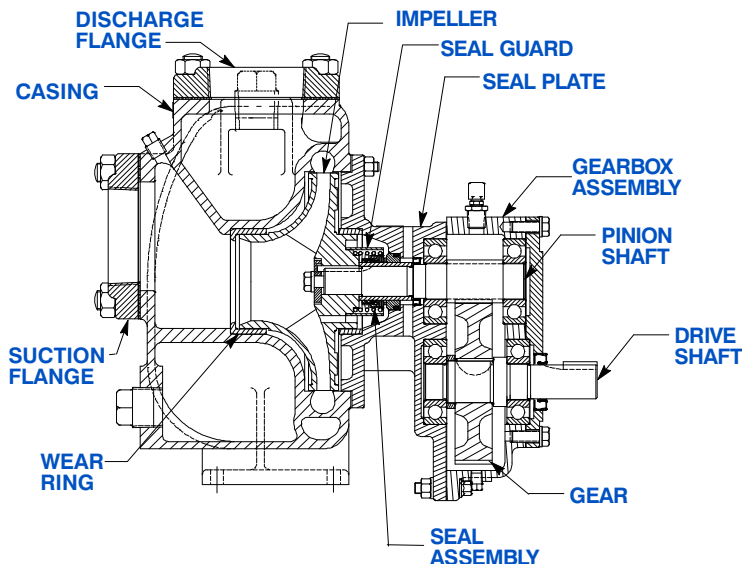
### Size 3" x 3"

**PUMP SPECIFICATIONS**

- Size:** 3" x 3" (76 mm x 76 mm) NPT - Female.
- Casing:** (03H1) Aluminum Alloy 356-T6.  
(03H3) Ductile Iron 60-40-18.  
Maximum Operating Pressure 176 psi (1214 kPa).\*
- Enclosed Type, Five Vane Impeller:** Aluminum Alloy 356-T6  
Handles 7/16" (11,1 mm) Diameter Spherical Solids.
- Pinion Shaft:** Alloy Steel 4150.
- Shaft Sleeve:** Alloy Steel 4130.
- Replaceable Wear Ring:** Copper Alloy C93200.
- Seal Plate:** (03H1) Gray Iron 30.  
(03H3) Ductile Iron 60-40-18.
- Seal Guard:** Copper Alloy C26000.
- Gearbox Housing:** Gray Iron 30.
- Gearbox Lubrication:** SAE 90 Gear Oil.
- Gear:** Alloy Steel 4620.
- Gear Ratio:** 4.09:1 Increase.
- Bearings:** Open Single Row Ball.
- Flanges:** (03H1) Aluminum Alloy 356-T6.  
(03H3) Ductile Iron 60-40-18.
- Gaskets:** Cork <sup>w</sup>/Nitrile and Vegetable Fiber.
- O-Rings:** Buna-N.
- Hardware:** Standard Plated Steel.
- Optional Equipment:** Victaulic<sup>®</sup> Suction and Discharge Flanges.  
Horizontal Victaulic<sup>®</sup> Discharge Flange.  
Victaulic<sup>®</sup> is a Registered Trademark of Victaulic Company of America.



*\*Consult Factory for Applications Exceeding Maximum Pressure and/or Temperature Indicated.*



**SEAL DETAIL**

Type 2, Mechanical, Self-Lubricated. Carbon Rotating Face. Ni-Resist Stationary Face. Fluorocarbon Elastomers (DuPont Viton<sup>®</sup> or Equivalent). Stainless Steel 18-8 Cage and Spring. Maximum Temperature of Liquid Pumped, 160°F (71°C).\*



**THE GORMAN-RUPP COMPANY • MANSFIELD, OHIO**

GORMAN-RUPP OF CANADA LIMITED • ST. THOMAS, ONTARIO, CANADA

www.grpumps.com

Specifications Subject to Change Without Notice

Printed in U.S.A.

**Specification Data**

**SECTION 110, PAGE 600**

APPROXIMATE  
DIMENSIONS and WEIGHTS

**NET WEIGHT:**

**03H1-GL & 03H1-GR**  
68 LBS. (33,5 KG.)

**03H3-GL & 03H1-GR**  
104 LBS. (47,1 KG.)

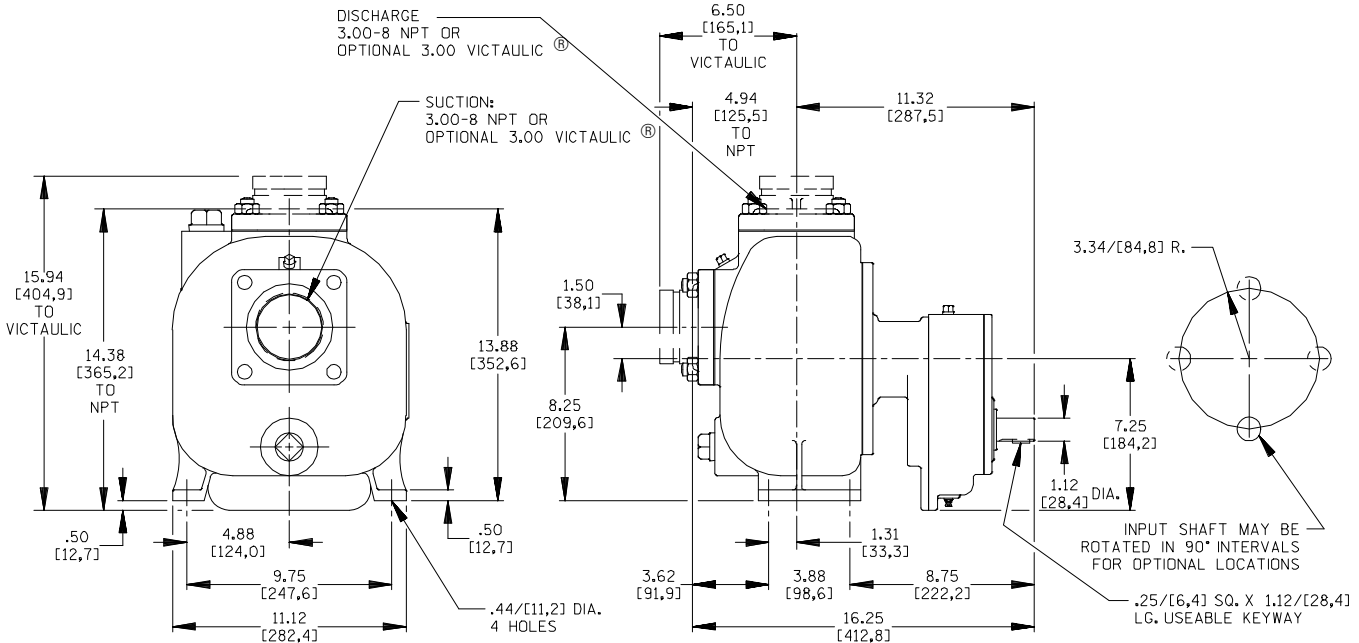
**SHIPPING WEIGHT:**

78 LBS. (39,4 KG.)

114 LBS. (51,7 KG.)

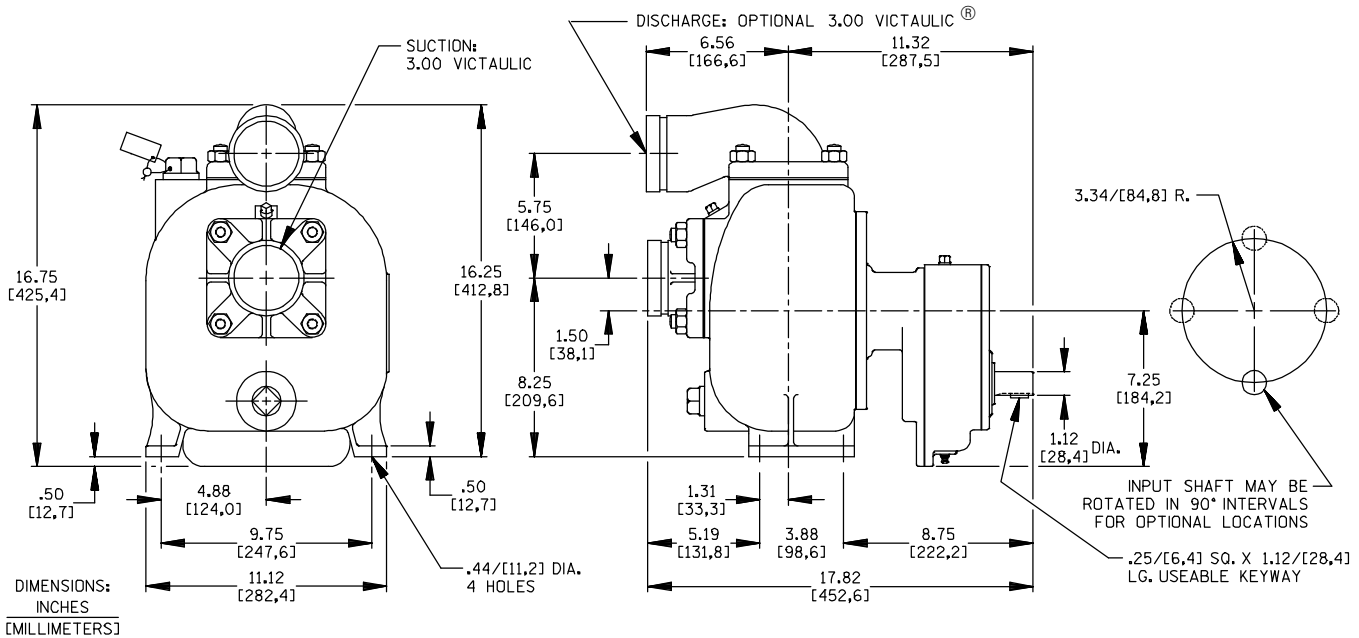
**EXPORT CRATE SIZE:**

3.5 CU. FT. (0,10 CU. M.)



Victaulic® is a Registered Trademark of Victaulic Company of America.

NOTE:  
INPUT SHAFT ROTATION CLOCKWISE FOR MODELS 03H-GR.  
INPUT SHAFT ROTATION COUNTER-CLOCKWISE FOR MODEL 03H-GL.



DIMENSIONS:  
INCHES  
[MILLIMETERS]

Shown with Optional Horizontal Victaulic® Elbow.

NOTE:  
INPUT SHAFT ROTATION CLOCKWISE FOR MODELS 03H-GR.  
INPUT SHAFT ROTATION COUNTER-CLOCKWISE FOR MODEL 03H-GL.  
DISCHARGE ELBOW MAY BE ROTATED TO FRONT (AS SHOWN), REAR, OR TO SIDE OPPOSITE FILL PLUG.

Victaulic® is a Registered Trademark of Victaulic Company of America.



**THE GORMAN-RUPP COMPANY • MANSFIELD, OHIO**

GORMAN-RUPP OF CANADA LIMITED • ST. THOMAS, ONTARIO, CANADA

Specifications Subject to Change Without Notice

Printed in U.S.A.

Curve Data

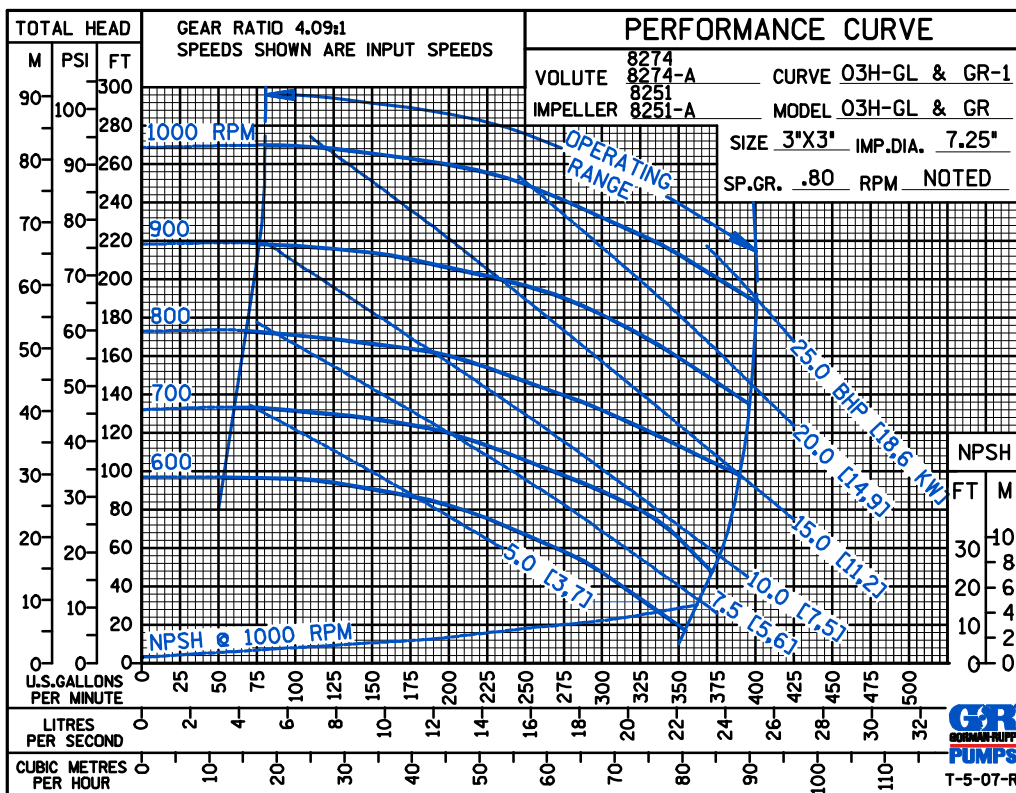
Sec. 110

PAGE 600.1

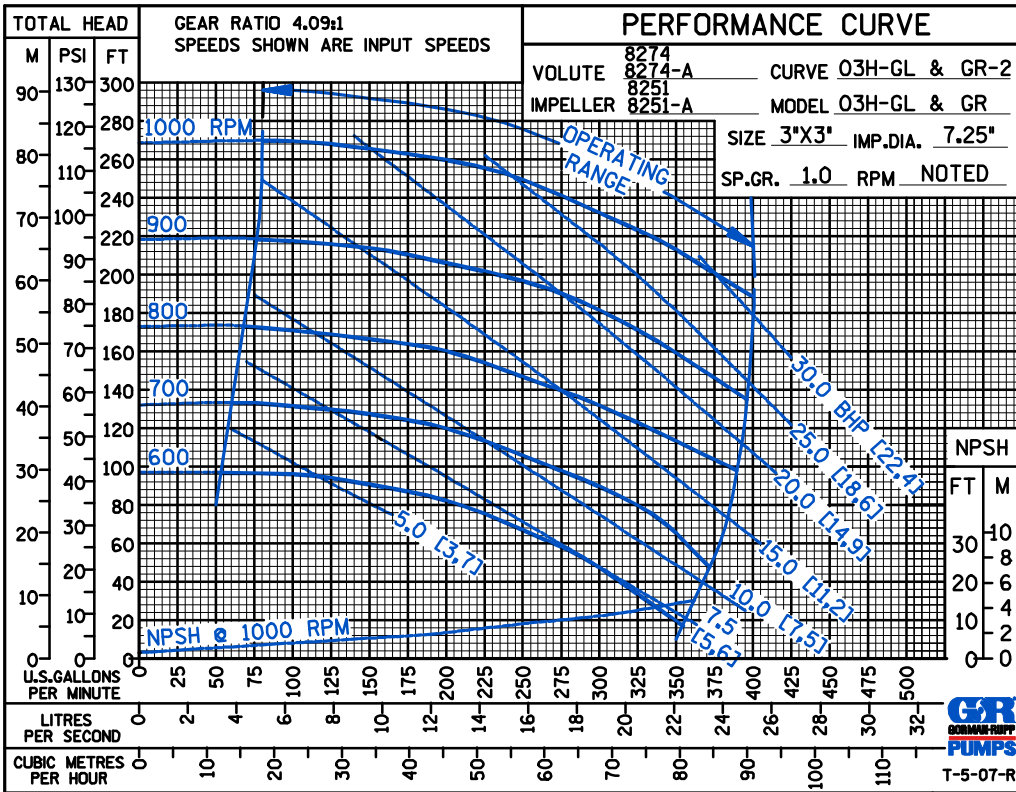
JULY 2012

A B E G Q

PERFORMANCE  
BASED ON  
PETROLEUM



PERFORMANCE  
BASED ON  
WATER



THE GORMAN-RUPP COMPANY • MANSFIELD, OHIO

GORMAN-RUPP OF CANADA LIMITED • ST. THOMAS, ONTARIO, CANADA

Specifications Subject to Change Without Notice

Printed in U.S.A.