

Specification Data

Sec. 50

**PAGE 300
APRIL 2011**

ACDEG

Electric Motor Driven

Self Priming Centrifugal Pump

Models 81 1/4A3-E.33 3P

Size 1 1/4" x 1 1/4"



PUMP SPECIFICATIONS

Size: 1 1/4" x 1 1/4" (31,8 mm x 31,8 mm) NPT - Female.

Casing: Gray Iron 30.

Maximum Operating Pressure 24 psi (165 kPa).*

Semi-Open Type, Five Vane Impeller: Copper Alloy C93700.

Handles 1/4" (6,4 mm) Spherical Solids.

Impeller Shaft: Stainless Steel 416 (Provided with Motor).

Replaceable Vane Plate: Gray Iron 30.

Intermediate Bracket: Gray Iron 30.

Gasket: Vegetable Fiber.

O-Ring: Buna-N.

Internal Wetted Hardware: Copper Alloy and Standard Plated Steel.

External Hardware: Standard Plated Steel.

Strainer:

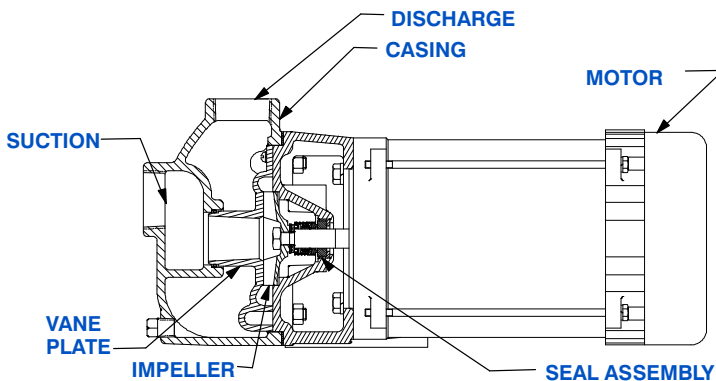
Optional Equipment: Wheel Kit w/Semi-Pneumatic Tires.

**Consult Factory for Applications Exceeding Maximum Pressure and/or Temperature Indicated.*



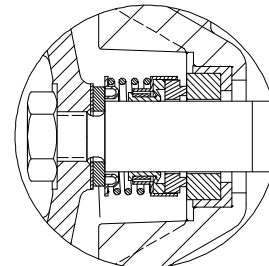
MOTOR SPECIFICATIONS

Type	Description	Frame Size	Hertz	Horsepower	Service Factor	RPM	Voltage
E	Three Phase. Open Drip Proof. Induction Start. Thermal Overload Protection. Self-Lubricated Bearings.	56J	60	0.33	1.75	3450	230/460



WARNING!
Do not use in explosive atmosphere or for pumping volatile flammable liquids.

SEAL DETAIL Type 21, Mechanical, Self-Lubricated. Carbon Rotating Face. Ni-Resist Stationary Face. Fluorocarbon Elastomers (DuPont Viton® or Equivalent). Stainless Steel 18-8 Cage and Spring. Maximum Temperature of Liquid Pumped 160°F. (71°C).*



THE GORMAN-RUPP COMPANY • MANSFIELD, OHIO

GORMAN-RUPP OF CANADA LIMITED • ST. THOMAS, ONTARIO, CANADA

www.grpumps.com

Specifications Subject to Change Without Notice

Printed in U.S.A.

Curve Data

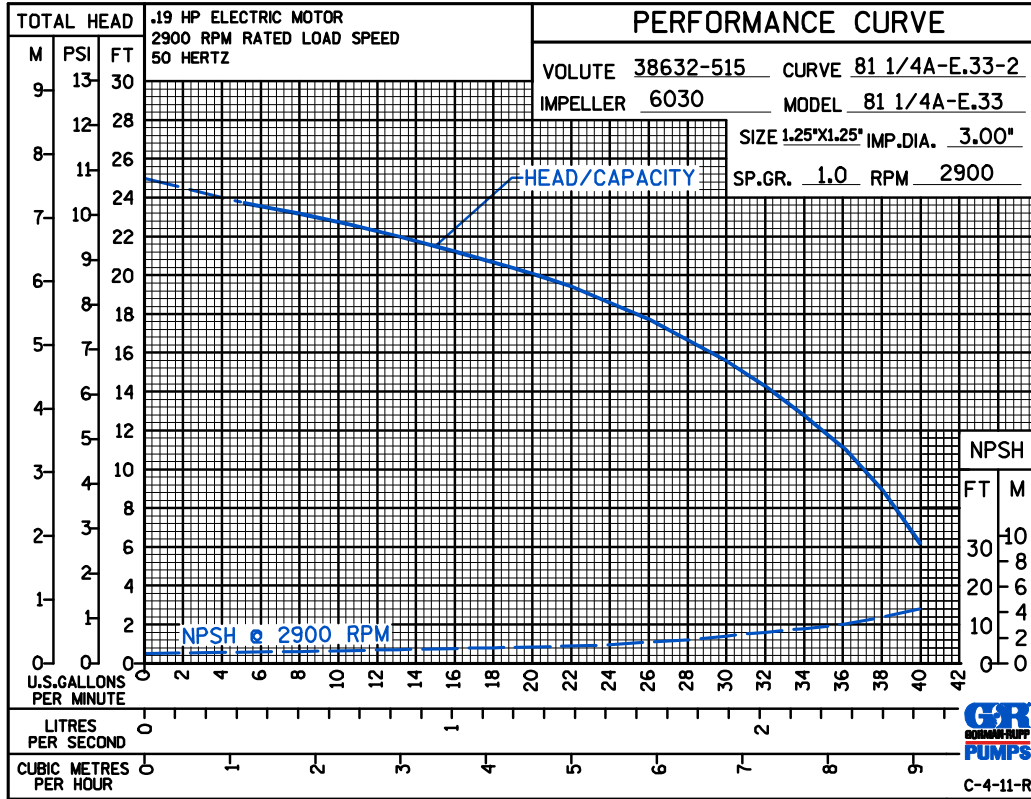
Sec. 50

PAGE 300.1

APRIL 2011

ACDEG

50 HERTZ



THE GORMAN-RUPP COMPANY • MANSFIELD, OHIO
GORMAN-RUPP OF CANADA LIMITED • ST. THOMAS, ONTARIO, CANADA

Specifications Subject to Change Without Notice

Printed in U.S.A.